

# TECHNICAL DATA GIS - SLEWING JIB CRANES





## General information

|                     |    |
|---------------------|----|
| General information | 03 |
|---------------------|----|

## Pillar-mounted slewing jib cranes

|  |    |
|--|----|
| Pillar-mounted slewing jib cranes GISKB steel hollow profile     | 04 |
| Pillar-mounted slewing jib cranes GISKB aluminium hollow profile | 05 |
| Pillar-mounted slewing jib cranes GSD-TR steel pipe profile      | 06 |
| Pillar-mounted slewing jib cranes IPE steel profile              | 07 |

## Wall-mounted slewing jib cranes

|  |    |
|--|----|
| Wall-mounted slewing jib cranes GISKB steel hollow profile     | 08 |
| Wall-mounted slewing jib cranes GISKB aluminium hollow profile | 09 |
| Wall-mounted slewing jib cranes GWD-TR steel pipe profile      | 10 |
| Wall-mounted slewing jib cranes IPE steel profile              | 11 |

## Ceiling-mounted slewing jib cranes

|   |    |
|---|----|
| Ceiling-mounted slewing jib cranes GISKB steel hollow profile     | 12 |
| Ceiling-mounted slewing jib cranes GISKB aluminium hollow profile | 12 |
| Ceiling-mounted slewing jib cranes GSD-TR steel pipe profile      | 13 |
| Ceiling-mounted slewing jib cranes IPE steel profile              | 13 |

## Mobile slewing jib cranes

|   |    |
|---|----|
| Mobile pillar-mounted slewing jib cranes GISKB steel hollow profile     | 14 |
| Mobile pillar-mounted slewing jib cranes GISKB aluminium hollow profile | 15 |
| Mobile pillar-mounted slewing jib cranes GSD-TR steel pipe profile      | 16 |
| Mobile pillar-mounted slewing jib cranes IPE steel profile              | 17 |

## Miscellaneous

|                      |    |
|----------------------|----|
| Energy supply        | 18 |
| Composite technology | 19 |
| Special solutions    | 19 |

## SWISS LIFTING SOLUTION

GIS pillar- and wall-mounted slewing jib cranes offer a simple and functional solution for ergonomic goods handling. Depending on the desired load capacity, the jib working radius and the running properties, aluminium or steel profiles are used.

In combination with a GIS electric chain hoist and a trolley (manual or electric), a GIS vacuum-handling system or another load-handling device, you get a complete crane system from one source - directly from the Swiss manufacturer. GIS slewing cranes are a reasonable addition to a complete materials handling system. The all-purpose application is used for single-user workstations, storage areas, loading ramps or in halls, whenever other handling devices are not suitable due to static reasons.

GIS slewing cranes are differed in pillar- and wall- or ceiling-mounted slewing cranes. The second substantial difference is the crane rail. Depending on the construction conditions and the lifting capacities a GISKB profile, IPE steel profile or a square profile is used for the jib arm. The slewing cranes are optimised to the respective application.

Depending on customised requirements, special solutions can be offered. We revert to a vast range of accessoires.

GIS slewing cranes are designed in accordance with the latest EU Machinery Directive DIN15018.



# Slewing pillar crane GISKB steel hollow profile

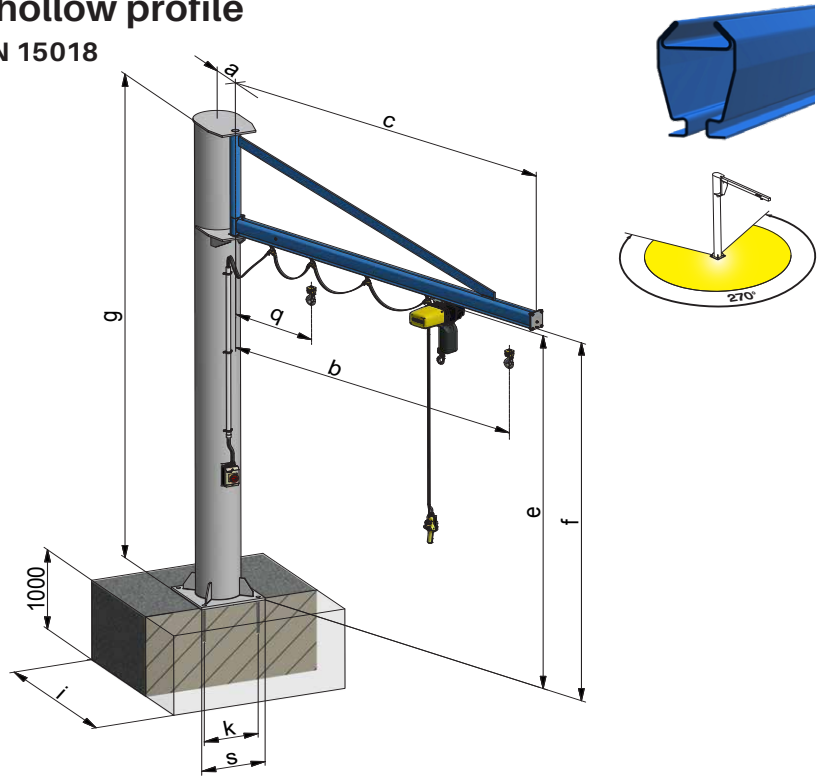
Lifting capacity up to 1000 kg - according DIN 15018

## Standard version

Pillar and jib primed light grey RAL 7035  
 Slewing range up to 270° stepless (manually)  
 Trolley with smoothly running plastic load wheels  
 Traction limit for trolley  
 Without mounting material

## Options:

Coating upon request or hot-dip galvanised  
 Power supply; trailing cable, c-rail or conductor line with main switch (see page 18)  
 Electric moving  
 Mounting options can be found on page 19  
 Special solutions can be found on page 19  
 Construction heights and jib lengths can be adapted individually to customer's needs.  
 GIS electric chain hoist



| Part number      | Capacity kg | Jib arm C mm | Construction height g mm | f mm | e mm | a mm | q mm    | b mm | GISKB steel | Floor plate drill holes mm | k mm | s mm | Base i mm | Pillar Ø mm |      |
|------------------|-------------|--------------|--------------------------|------|------|------|---------|------|-------------|----------------------------|------|------|-----------|-------------|------|
| 9311.1000/125/2  | 125         | 2000         | 3800                     | 3300 | 3265 | 265  | 424     | 1890 | I           | 4 × Ø20                    | 300  | 400  | 800       | 273         |      |
| 9311.1001/125/3  |             | 3000         |                          |      |      |      | 524     | 2890 |             |                            |      |      | 950       |             |      |
| 9311.1002/125/4  |             | 4000         |                          |      |      |      | 624     | 3890 |             |                            |      |      | 1050      |             |      |
| 9311.1006/125/5  | 5000        | 4200         | 300                      | 647  | 4879 | II   | 4 × Ø30 | 425  | 500         | 1200                       | 324  |      |           |             |      |
| 9311.1000/160/2  | 160         | 2000         | 3800                     | 3300 | 3265 | 265  | 424     | 1890 | I           | 4 × Ø20                    | 300  | 400  | 850       | 273         |      |
| 9311.1001/160/3  |             | 3000         |                          |      |      |      | 524     | 2890 |             |                            |      |      | 1000      |             |      |
| 9311.1002/160/4  |             | 4000         |                          |      |      |      | 624     | 3890 |             |                            |      |      | 1100      |             |      |
| 9311.1006/160/5  | 5000        | 4200         | 300                      | 647  | 4879 | II   | 4 × Ø30 | 425  | 500         | 1250                       | 324  |      |           |             |      |
| 9311.1003/200/2  | 200         | 2000         | 3800                     | 3300 | 3265 | 265  | 424     | 1890 | I           | 4 × Ø20                    | 300  | 400  | 900       | 273         |      |
| 9311.1004/200/3  |             | 3000         |                          |      |      |      | 524     | 2890 |             |                            |      |      | 1050      |             |      |
| 9311.1005/200/4  |             | 4000         |                          |      |      |      | 647     | 3879 |             |                            |      |      | 1150      |             |      |
| 9311.1006/200/5  | 5000        | 4200         | 300                      | 647  | 4879 | II   | 4 × Ø30 | 425  | 500         | 1300                       | 324  |      |           |             |      |
| 9311.1003/250/2  | 250         | 2000         | 3800                     | 3300 | 3265 | 265  | 424     | 1890 | I           | 4 × Ø20                    | 300  | 400  | 950       | 273         |      |
| 9311.1004/250/3  |             | 3000         |                          |      |      |      | 524     | 2890 |             |                            |      |      | 1100      |             |      |
| 9311.1005/250/4  |             | 4000         |                          |      |      |      | 647     | 3879 |             |                            |      |      | 1250      |             |      |
| 9311.1006/250/5  | 5000        | 4200         | 300                      | 647  | 4879 | II   | 4 × Ø30 | 425  | 500         | 1350                       | 324  |      |           |             |      |
| 9311.1003/320/2  | 320         | 2000         | 3800                     | 3300 | 3265 | 265  | 424     | 1890 | I           | 4 × Ø20                    | 300  | 400  | 1000      | 273         |      |
| 9311.1004/320/3  |             | 3000         |                          |      |      |      | 524     | 2890 |             |                            |      |      | 1200      |             |      |
| 9311.1005/320/4  |             | 4000         |                          |      |      |      | 647     | 3879 |             |                            |      |      | 1350      |             |      |
| 9311.1006/320/5  | 5000        | 4200         | 300                      | 647  | 4879 | II   | 4 × Ø30 | 425  | 500         | 1450                       | 324  |      |           |             |      |
| 9311.1007/400/2  | 400         | 2000         | 3800                     | 3300 | 3265 | 265  | 424     | 1890 | I           | 4 × Ø20                    | 300  | 400  | 1100      | 273         |      |
| 9311.1008/400/3  |             | 3000         |                          |      |      |      | 300     | 547  |             |                            |      |      | 2879      |             | 1300 |
| 9311.1009/400/4  |             | 4000         |                          |      |      |      | 4200    | 647  |             |                            |      |      | 3879      |             | 1400 |
| 9311.1010/400/5  | 5000        | 4200         | 350                      | 647  | 4879 | II   | 6 × Ø30 | 500  | 600         | 1550                       | 407  |      |           |             |      |
| 9311.1007/500/2  | 500         | 2000         | 3800                     | 3300 | 3265 | 265  | 424     | 1890 | I           | 4 × Ø20                    | 300  | 400  | 1200      | 273         |      |
| 9311.1008/500/3  |             | 3000         |                          |      |      |      | 300     | 547  |             |                            |      |      | 2879      |             | 1350 |
| 9311.1009/500/4  |             | 4000         |                          |      |      |      | 4200    | 647  |             |                            |      |      | 3879      |             | 1500 |
| 9311.1010/500/5  | 5000        | 4200         | 350                      | 647  | 4879 | II   | 6 × Ø30 | 500  | 600         | 1650                       | 407  |      |           |             |      |
| 9311.1011/630/2  | 630         | 2000         | 4200                     | 3300 | 3265 | 300  | 447     | 1879 | II          | 4 × Ø30                    | 425  | 500  | 1300      | 324         |      |
| 9311.1008/630/3  |             | 3000         |                          |      |      |      | 350     | 647  |             |                            |      |      | 2879      |             | 1450 |
| 9311.1009/630/4  |             | 4000         |                          |      |      |      | 4200    | 647  |             |                            |      |      | 3879      |             | 1650 |
| 9311.1014/630/5  | 5000        | 4200         | 450                      | 647  | 4879 | II   | 8 × Ø32 | 600  | 700         | 1800                       | 508  |      |           |             |      |
| 9311.1011/800/2  | 800         | 2000         | 4200                     | 3300 | 3265 | 300  | 447     | 1879 | II          | 4 × Ø30                    | 425  | 500  | 1400      | 324         |      |
| 9311.1012/800/3  |             | 3000         |                          |      |      |      | 350     | 647  |             |                            |      |      | 2879      |             | 1600 |
| 9311.1013/800/4  |             | 4000         |                          |      |      |      | 4200    | 647  |             |                            |      |      | 3879      |             | 1800 |
| 9311.1014/800/5  | 5000        | 4200         | 450                      | 647  | 4879 | II   | 8 × Ø32 | 600  | 700         | 1950                       | 508  |      |           |             |      |
| 9311.1015/1000/2 | 1000        | 2000         | 4200                     | 3300 | 3265 | 300  | 447     | 1879 | II          | 4 × Ø30                    | 425  | 500  | 1450      | 324         |      |
| 9311.1016/1000/3 |             | 3000         |                          |      |      |      | 350     | 547  |             |                            |      |      | 2879      |             | 1700 |
| 9311.1017/1000/4 |             | 4000         |                          |      |      |      | 4200    | 647  |             |                            |      |      | 3879      |             | 1900 |
| 9311.1018/1000/5 | 5000        | 4200         | 450                      | 647  | 4879 | II   | 8 × Ø32 | 600  | 700         | 2050                       | 508  |      |           |             |      |

# Slewing pillar crane GISKB aluminium hollow profile

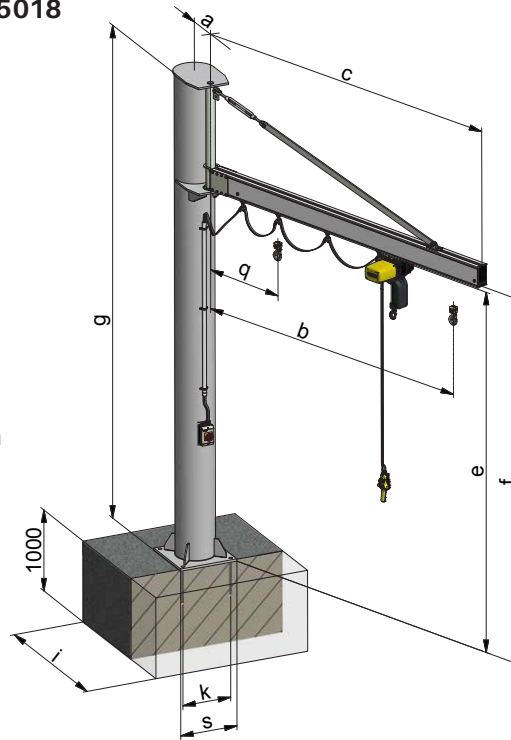
Lifting capacity up to 500 kg - according DIN 15018

## Standard version

- Pillar primed light grey RAL 7035
- Jib arm aluminium hollow profile
- Slewing range 270° stepless (manually)
- Trolley with smoothly running plastic load wheels
- Traction limit for trolley
- Without mounting material

## Options:

- Coating of pillar upon request or hot-dip galvanised
- Power supply; trailing cable, c-rail or conductor line with main switch (see page 18)
- Mounting options can be found on page 19
- Special solutions can be found on page 19
- Construction heights and jib lengths can be adapted individually to customer's needs.
- GIS electric chain hoist



| Part number     | Capacity kg | Jib arm C mm | Construction height g mm | f mm | e mm | a mm | q mm | b mm | GISKB alum. | Floor plate drill holes mm | k □mm | s □mm | Base i □mm | Pillar Ø mm |
|-----------------|-------------|--------------|--------------------------|------|------|------|------|------|-------------|----------------------------|-------|-------|------------|-------------|
| 9311.2000/125/2 |             | 2040         |                          |      |      |      | 458  | 1885 |             |                            |       |       | 800        |             |
| 9311.2001/125/3 |             | 3040         | 3800                     |      |      | 265  | 558  | 2885 | M           | 4 × Ø20                    | 300   | 400   | 950        | 273         |
| 9311.2003/125/4 | 125         | 4040         |                          | 3300 | 3279 |      | 658  | 3885 |             |                            |       |       | 1050       |             |
| 9311.2006/125/5 |             | 5050         | 4200                     |      |      | 300  | 668  | 4895 | L           | 4 × Ø30                    | 425   | 500   | 1200       | 324         |
| 9311.2008/125/6 |             | 6050         |                          |      |      |      | 768  | 5895 |             |                            |       |       | 1250       |             |
| 9311.2000/160/2 |             | 2040         |                          |      |      |      | 458  | 1885 |             |                            |       |       | 850        |             |
| 9311.2001/160/3 |             | 3040         | 3800                     |      |      | 265  | 558  | 2885 | M           | 4 × Ø20                    | 300   | 400   | 1000       | 273         |
| 9311.2003/160/4 | 160         | 4040         |                          | 3300 | 3279 |      | 658  | 3885 |             |                            |       |       | 1100       |             |
| 9311.2006/160/5 |             | 5050         | 4200                     |      |      | 300  | 668  | 4895 | L           | 4 × Ø30                    | 425   | 500   | 1250       | 324         |
| 9311.2008/160/6 |             | 6050         |                          |      |      |      | 768  | 5895 |             |                            |       |       | 1300       |             |
| 9311.2000/200/2 |             | 2040         |                          |      |      |      | 458  | 1885 |             |                            |       |       | 900        |             |
| 9311.2001/200/3 |             | 3040         | 3800                     |      |      | 265  | 558  | 2885 | M           | 4 × Ø20                    | 300   | 400   | 1050       | 273         |
| 9311.2004/200/4 | 200         | 4050         |                          | 3300 | 3279 |      | 568  | 3895 |             |                            |       |       | 1150       |             |
| 9311.2006/200/5 |             | 5050         | 4200                     |      |      | 300  | 668  | 4895 | L           | 4 × Ø30                    | 425   | 500   | 1300       | 324         |
| 9311.2008/200/6 |             | 6050         |                          |      |      |      | 768  | 5895 |             |                            |       |       | 1350       |             |
| 9311.2000/250/2 |             | 2040         |                          |      |      |      | 458  | 1885 |             |                            |       |       | 950        |             |
| 9311.2001/250/3 |             | 3040         | 3800                     |      |      | 265  | 558  | 2885 | M           | 4 × Ø20                    | 300   | 400   | 1100       | 273         |
| 9311.2004/250/4 | 250         | 4050         |                          | 3300 | 3279 |      | 568  | 3895 |             |                            |       |       | 1250       |             |
| 9311.2006/250/5 |             | 5050         | 4200                     |      |      | 300  | 668  | 4890 | L           | 4 × Ø30                    | 425   | 500   | 1350       | 324         |
| 9311.2009/250/6 |             | 6050         |                          |      |      | 350  | 768  | 5895 |             | 6 × Ø30                    | 500   | 600   | 1400       | 407         |
| 9311.2000/320/2 |             | 2040         |                          |      |      |      | 458  | 1885 |             |                            |       |       | 1000       |             |
| 9311.2001/320/3 |             | 3040         | 3800                     |      |      | 265  | 558  | 2885 | M           | 4 × Ø20                    | 300   | 400   | 1200       | 273         |
| 9311.2004/320/4 | 320         | 4050         |                          | 3300 | 3279 |      | 568  | 3895 |             |                            |       |       | 1350       |             |
| 9311.2006/320/5 |             | 5050         | 4200                     |      |      | 300  | 668  | 4895 | L           | 4 × Ø30                    | 425   | 500   | 1450       | 324         |
| 9311.2009/320/6 |             | 6050         |                          |      |      | 350  | 768  | 5895 |             | 6 × Ø30                    | 500   | 600   | 1500       | 407         |
| 9311.2000/400/2 |             | 2040         | 3800                     |      |      | 265  | 458  | 1885 | M           | 4 × Ø20                    | 300   | 400   | 1100       | 273         |
| 9311.2002/400/3 |             | 3050         |                          |      |      | 300  | 468  | 2895 |             | 4 × Ø30                    | 425   | 500   | 1300       | 324         |
| 9311.2005/400/4 | 400         | 4050         |                          | 3300 | 3279 |      | 568  | 3895 |             |                            |       |       | 1400       |             |
| 9311.2007/400/5 |             | 5050         | 4200                     |      |      | 350  | 668  | 4895 | L           | 6 × Ø30                    | 500   | 600   | 1550       | 407         |
| 9311.2009/400/6 |             | 6050         |                          |      |      |      | 768  | 5895 |             |                            |       |       | 1600       |             |
| 9311.2000/500/2 |             | 2040         | 3800                     |      |      | 265  | 458  | 1885 | M           | 4 × Ø20                    | 300   | 400   | 1200       | 273         |
| 9311.2002/500/3 |             | 3050         |                          |      |      | 300  | 468  | 2895 |             | 4 × Ø30                    | 425   | 500   | 1350       | 324         |
| 9311.2005/500/4 | 500         | 4050         |                          | 3300 | 3279 |      | 568  | 3895 |             |                            |       |       | 1500       |             |
| 9311.2007/500/5 |             | 5050         | 4200                     |      |      | 350  | 668  | 4895 | L           | 6 × Ø30                    | 500   | 600   | 1650       | 407         |
| 9311.2010/500/6 |             | 6050         |                          |      |      | 450  | 768  | 5895 |             | 8 × Ø32                    | 600   | 700   | 1700       | 508         |

# Articulated slewing pillar crane GSD-TR steel pipe profile

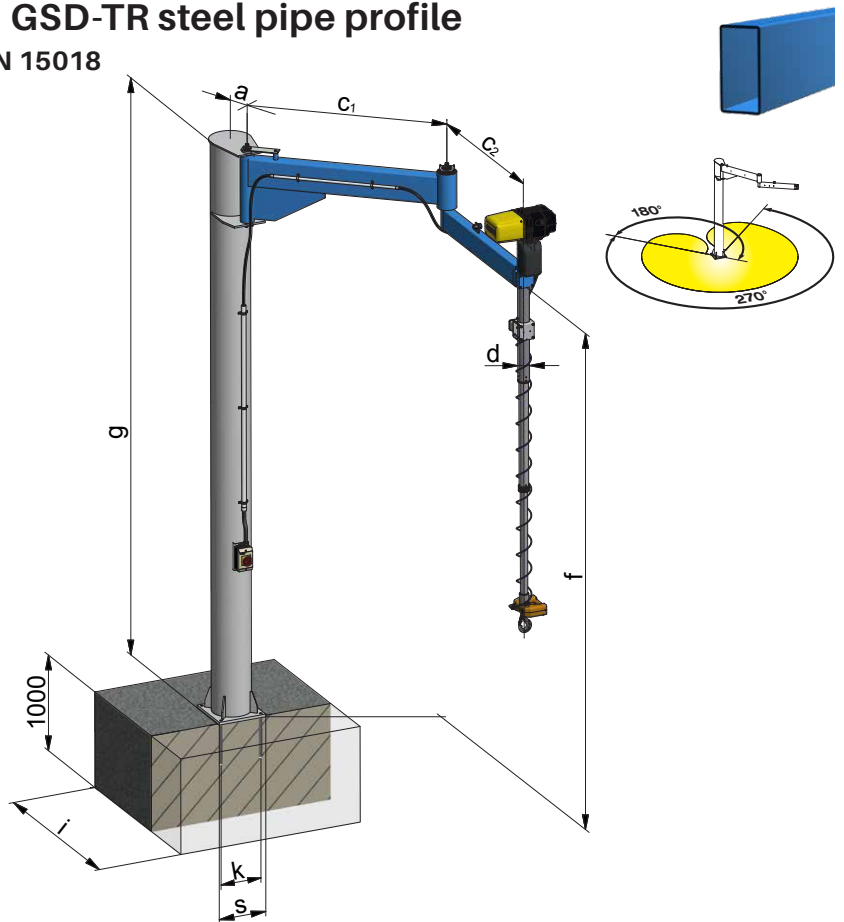
Lifting capacity up to 250 kg - according DIN 15018

## Standard version

Articulated pillar-mounted slewing jib crane with maximum slewing range  
 Suitable for excentric load handling with GIS handy telescope model  
 Pillar and jib primed light grey RAL 7035  
 Slewing range up to 270° (inner), respectively up to 330° (outter)  
 Jib length 2.6 m, longer jibs on request

### Options:

Coating upon request or hot-dip galvanised  
 Power supply; trailing cable, c-rail or conductor line with main switch  
 with brake on internal and external joint  
 Mounting options can be found on page 19  
 Special solutions can be found on page 19  
 Construction height can be adapted to individual requirements.  
 GIS handy telescope model



| Part number | Capacity kg | Jib arm C1/C2 mm | a mm | Construction height g mm | BE jib arm f mm | k mm | s mm | i mm | Floor plate drill holes mm | d Ø mm | Pillar Ø mm |
|-------------|-------------|------------------|------|--------------------------|-----------------|------|------|------|----------------------------|--------|-------------|
| 9311.3102.2 | 250         | 1400/1200        | 265  | 3400                     | 2969            | 300  | 350  | 1200 | 4 × Ø20                    | 80     | 273         |

# Slewing pillar crane IPE steel profile

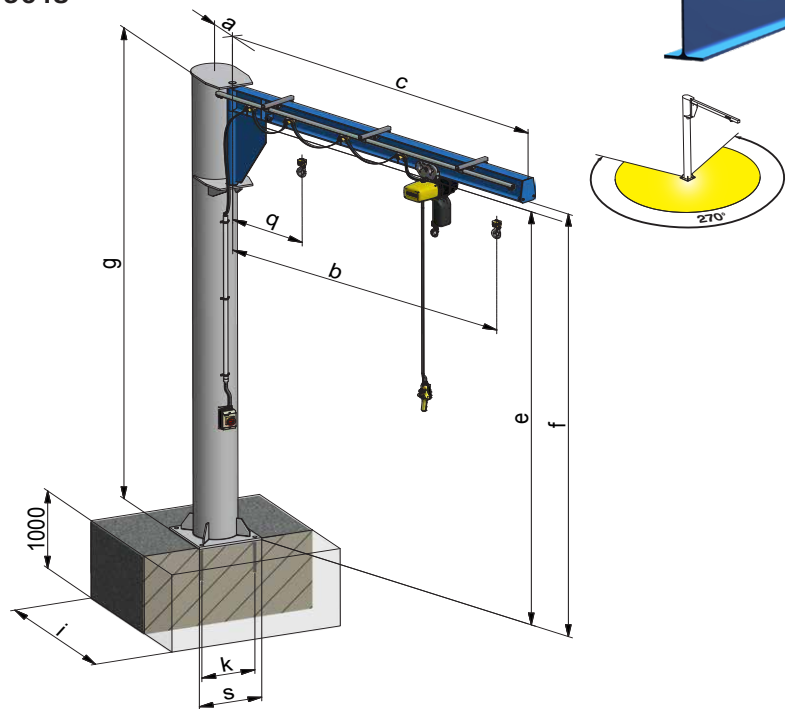
## Lifting capacity up to 1000 kg - according DIN 15018

### Standard version

Pillar primed light grey RAL 7035  
 Jib IPE steel profile  
 Slewing range up to 270° stepless (manually)  
 Rubber buffers mounted to the end of the jib  
 Without mounting material

### Options:

Coating upon request or hot-dip galvanised  
 Power supply; trailing cable, c-rail or conductor line with main switch (see page 18)  
 Mounting options can be found on page 19  
 Special solutions can be found on page 19  
 Construction heights and jib lengths can be adapted to individual requirements.  
 GIS electric chain hoist with manual or motorised trolley



| Capacity kg | Jib arm c mm | Construction height g mm | BE jib f mm | e mm | a mm | q mm | b mm | IPE | Flange mm | Floor plate drill holes mm | k □mm | s □mm | Base i □mm | Pillar Ø mm |
|-------------|--------------|--------------------------|-------------|------|------|------|------|-----|-----------|----------------------------|-------|-------|------------|-------------|
| 125         | 2000         | 3800                     | 3612        | 3571 | 265  | 482  | 1860 | 160 | 82        | 4 × Ø20                    | 300   | 400   | 950        | 273         |
|             | 3000         |                          |             |      |      |      | 2860 |     |           |                            |       |       |            |             |
|             | 4000         |                          |             |      |      |      | 3860 |     |           |                            |       |       |            |             |
|             | 5000         |                          |             |      |      |      | 4860 |     |           |                            |       |       |            |             |
| 160         | 2000         | 3800                     | 3612        | 3571 | 265  | 482  | 1860 | 180 | 91        | 4 × Ø20                    | 300   | 400   | 1000       | 273         |
|             | 3000         |                          |             |      |      |      | 2860 |     |           |                            |       |       |            |             |
|             | 4000         |                          |             |      |      |      | 3860 |     |           |                            |       |       |            |             |
|             | 5000         |                          |             |      |      |      | 4860 |     |           |                            |       |       |            |             |
| 200         | 2000         | 3800                     | 3612        | 3571 | 265  | 482  | 1860 | 180 | 91        | 4 × Ø20                    | 300   | 400   | 1050       | 273         |
|             | 3000         |                          |             |      |      |      | 2860 |     |           |                            |       |       |            |             |
|             | 4000         |                          |             |      |      |      | 3860 |     |           |                            |       |       |            |             |
|             | 5000         |                          |             |      |      |      | 4860 |     |           |                            |       |       |            |             |
| 250         | 2000         | 3800                     | 3612        | 3571 | 265  | 482  | 1860 | 200 | 100       | 4 × Ø20                    | 300   | 400   | 1100       | 273         |
|             | 3000         |                          |             |      |      |      | 2860 |     |           |                            |       |       |            |             |
|             | 4000         |                          |             |      |      |      | 3860 |     |           |                            |       |       |            |             |
|             | 5000         |                          |             |      |      |      | 4860 |     |           |                            |       |       |            |             |
| 320         | 2000         | 3800                     | 3612        | 3571 | 265  | 482  | 1860 | 200 | 100       | 4 × Ø20                    | 300   | 400   | 1200       | 273         |
|             | 3000         |                          |             |      |      |      | 2860 |     |           |                            |       |       |            |             |
|             | 4000         |                          |             |      |      |      | 3860 |     |           |                            |       |       |            |             |
|             | 5000         |                          |             |      |      |      | 4860 |     |           |                            |       |       |            |             |
| 400         | 2000         | 3800                     | 3612        | 3571 | 265  | 482  | 1860 | 220 | 110       | 4 × Ø30                    | 425   | 500   | 1350       | 324         |
|             | 3000         |                          |             |      |      |      | 2860 |     |           |                            |       |       |            |             |
|             | 4000         |                          |             |      |      |      | 3860 |     |           |                            |       |       |            |             |
|             | 5000         |                          |             |      |      |      | 4860 |     |           |                            |       |       |            |             |
| 500         | 2000         | 3800                     | 3612        | 3571 | 265  | 482  | 1860 | 240 | 120       | 4 × Ø30                    | 425   | 500   | 1450       | 407         |
|             | 3000         |                          |             |      |      |      | 2860 |     |           |                            |       |       |            |             |
|             | 4000         |                          |             |      |      |      | 3860 |     |           |                            |       |       |            |             |
|             | 5000         |                          |             |      |      |      | 4860 |     |           |                            |       |       |            |             |
| 630         | 2000         | 4200                     | 3992        | 3952 | 300  | 482  | 1860 | 240 | 120       | 6 × Ø30                    | 500   | 600   | 1650       | 407         |
|             | 3000         |                          |             |      |      |      | 2860 |     |           |                            |       |       |            |             |
|             | 4000         |                          |             |      |      |      | 3860 |     |           |                            |       |       |            |             |
|             | 5000         |                          |             |      |      |      | 4860 |     |           |                            |       |       |            |             |
| 800         | 2000         | 4200                     | 3972        | 3932 | 300  | 537  | 1860 | 240 | 120       | 6 × Ø30                    | 500   | 600   | 1800       | 407         |
|             | 3000         |                          |             |      |      |      | 2860 |     |           |                            |       |       |            |             |
|             | 4000         |                          |             |      |      |      | 3860 |     |           |                            |       |       |            |             |
|             | 5000         |                          |             |      |      |      | 4860 |     |           |                            |       |       |            |             |
| 1000        | 2000         | 4200                     | 3972        | 3932 | 300  | 537  | 1860 | 300 | 150       | 8 × Ø32                    | 600   | 700   | 1950       | 508         |
|             | 3000         |                          |             |      |      |      | 2860 |     |           |                            |       |       |            |             |
|             | 4000         |                          |             |      |      |      | 3860 |     |           |                            |       |       |            |             |
|             | 5000         |                          |             |      |      |      | 4860 |     |           |                            |       |       |            |             |

# Slewing wall crane GISKB steel hollow profile

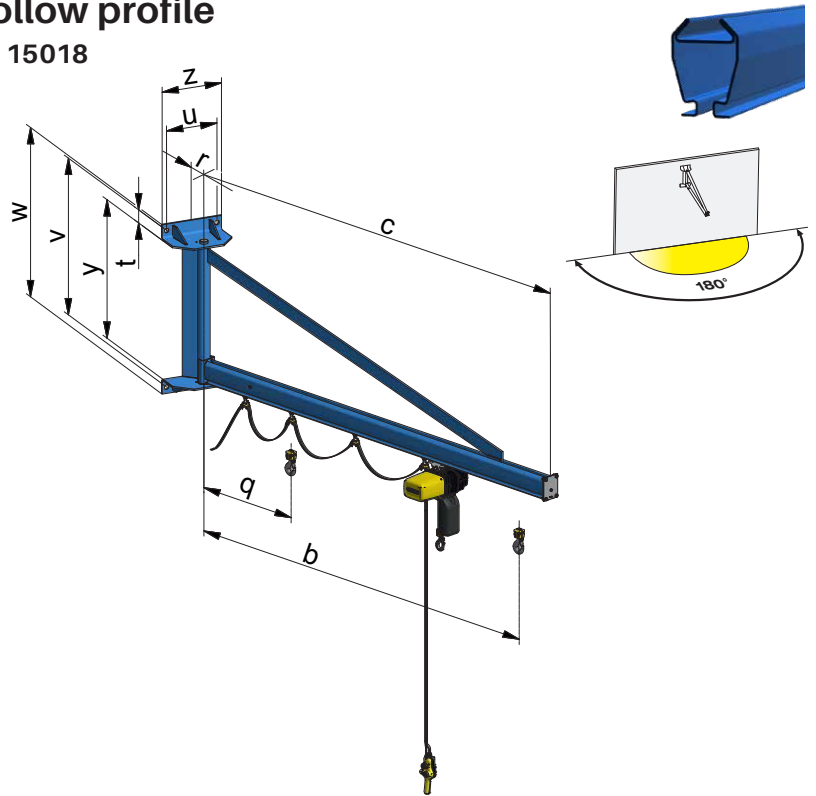
Lifting capacity up to 1000 kg - according DIN 15018

## Standard version

Console and jib arm primed light grey RAL 7035  
 Slewing range 180°/ 270° stepless (manually)  
 Trolley with smoothly running plastic load wheels  
 Travel limit stop for trolley  
 Without mounting material

## Options:

Coating upon request or hot-dip galvanised  
 Power supply; trailing cable, c-rail or conductor line with main switch (see page 18)  
 Electric travel movements  
 Mounting options can be found on page 19  
 Special solutions can be found on page 19  
 Construction heights and jib arm length can be adapted to customer's requirements.  
 GIS electric chain hoist



| Part number      | Capacity kg | Jib arm c mm | u mm | v mm | w mm | y mm | z mm | r mm | b mm | q mm | t mm | GISKB | Console drill holes mm |
|------------------|-------------|--------------|------|------|------|------|------|------|------|------|------|-------|------------------------|
| 9311.1019/125/2  | 125         | 2000         | 240  | 619  | 701  | 501  | 300  | 160  | 1890 | 424  | 59   | I     | 4 × Ø27                |
| 9311.1020/125/3  |             | 3000         |      |      |      |      |      |      | 2890 | 524  |      |       |                        |
| 9311.1021/125/4  |             | 4000         |      |      |      |      |      |      | 3890 | 624  |      |       |                        |
| 9311.1025/125/5  |             | 5000         |      |      |      |      |      |      | 4879 | 647  |      |       |                        |
| 9311.1019/160/2  | 160         | 2000         | 240  | 619  | 701  | 501  | 300  | 160  | 1890 | 424  | 59   | I     | 4 × Ø27                |
| 9311.1020/160/3  |             | 3000         |      |      |      |      |      |      | 2890 | 524  |      |       |                        |
| 9311.1021/160/4  |             | 4000         |      |      |      |      |      |      | 3890 | 624  |      |       |                        |
| 9311.1025/160/5  |             | 5000         |      |      |      |      |      |      | 4879 | 647  |      |       |                        |
| 9311.1022/200/2  | 200         | 2000         | 340  | 1019 | 1101 | 901  | 400  | 185  | 1890 | 424  | 59   | I     | 4 × Ø27                |
| 9311.1023/200/3  |             | 3000         |      |      |      |      |      |      | 2890 | 524  |      |       |                        |
| 9311.1024/200/4  |             | 4000         |      |      |      |      |      |      | 3879 | 647  |      |       |                        |
| 9311.1025/200/5  |             | 5000         |      |      |      |      |      |      | 4879 |      |      |       |                        |
| 9311.1022/250/2  | 250         | 2000         | 340  | 1019 | 1101 | 901  | 400  | 185  | 1890 | 424  | 59   | I     | 4 × Ø27                |
| 9311.1023/250/3  |             | 3000         |      |      |      |      |      |      | 2890 | 524  |      |       |                        |
| 9311.1024/250/4  |             | 4000         |      |      |      |      |      |      | 3879 | 647  |      |       |                        |
| 9311.1025/250/5  |             | 5000         |      |      |      |      |      |      | 4879 |      |      |       |                        |
| 9311.1022/320/2  | 320         | 2000         | 340  | 1019 | 1101 | 901  | 400  | 185  | 1890 | 424  | 59   | I     | 4 × Ø27                |
| 9311.1023/320/3  |             | 3000         |      |      |      |      |      |      | 2890 | 524  |      |       |                        |
| 9311.1024/320/4  |             | 4000         |      |      |      |      |      |      | 3879 | 647  |      |       |                        |
| 9311.1025/320/5  |             | 5000         |      |      |      |      |      |      | 4879 |      |      |       |                        |
| 9311.1026/400/2  | 400         | 2000         | 340  | 1019 | 1101 | 901  | 400  | 185  | 1770 | 424  | 59   | I     | 4 × Ø27                |
| 9311.1027/400/3  |             | 3000         |      |      |      |      |      |      | 2879 | 547  |      |       |                        |
| 9311.1028/400/4  |             | 4000         |      |      |      |      |      |      | 3879 | 647  |      |       |                        |
| 9311.1029/400/5  |             | 5000         |      |      |      |      |      |      | 4879 |      |      |       |                        |
| 9311.1026/500/2  | 500         | 2000         | 340  | 1019 | 1101 | 901  | 400  | 185  | 1770 | 424  | 59   | I     | 4 × Ø27                |
| 9311.1027/500/3  |             | 3000         |      |      |      |      |      |      | 2879 | 547  |      |       |                        |
| 9311.1028/500/4  |             | 4000         |      |      |      |      |      |      | 3879 | 647  |      |       |                        |
| 9311.1029/500/5  |             | 5000         |      |      |      |      |      |      | 4879 |      |      |       |                        |
| 9311.1030/630/2  | 630         | 2000         | 340  | 1019 | 1101 | 901  | 400  | 185  | 1879 | 447  | 59   | II    | 4 × Ø30                |
| 9311.1027/630/3  |             | 3000         |      |      |      |      |      |      | 2879 | 547  |      |       |                        |
| 9311.1028/630/4  |             | 4000         |      |      |      |      |      |      | 3879 | 647  |      |       |                        |
| 9311.1033/630/5  |             | 5000         |      |      |      |      |      |      | 4879 |      |      |       |                        |
| 9311.1030/800/2  | 800         | 2000         | 340  | 1019 | 1101 | 901  | 400  | 185  | 1879 | 447  | 59   | II    | 4 × Ø30                |
| 9311.1031/800/3  |             | 3000         |      |      |      |      |      |      | 2879 | 547  |      |       |                        |
| 9311.1032/800/4  |             | 4000         |      |      |      |      |      |      | 3879 | 647  |      |       |                        |
| 9311.1033/800/5  |             | 5000         |      |      |      |      |      |      | 4879 |      |      |       |                        |
| 9311.1034/1000/2 | 1000        | 2000         | 340  | 1019 | 1101 | 901  | 400  | 185  | 1879 | 447  | 59   | II    | 4 × Ø30                |
| 9311.1035/1000/3 |             | 3000         |      |      |      |      |      |      | 2879 | 547  |      |       |                        |
| 9311.1036/1000/4 |             | 4000         |      |      |      |      |      |      | 3879 | 647  |      |       |                        |
| 9311.1037/1000/5 |             | 5000         |      |      |      |      |      |      | 4879 |      |      |       |                        |



# Slewing wall crane GISKB aluminium hollow profile

Lifting capacity up to 500 kg - according DIN 15018

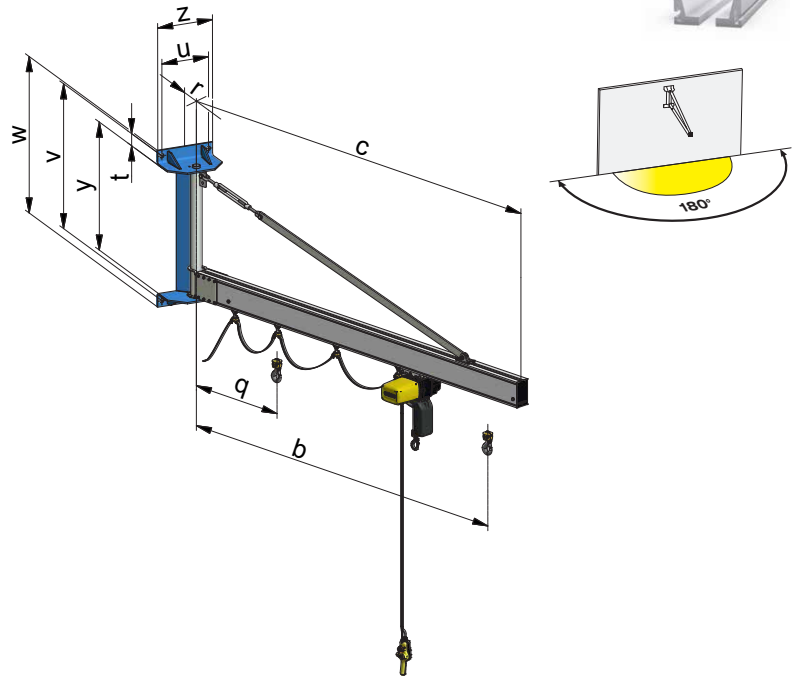


## Standard version

- Console primed light grey RAL 7035
- Aluminium profile jib arm
- Slewing range 180° / 270° stepless (manually)
- Trolley with smoothly running plastic load wheels
- Travel limit stop for trolley
- Without mounting material

## Options:

- Coating of console upon request or hot-dip galvanised
- Power supply; trailing cable, c-rail or conductor line with main switch (see page 18)
- Mounting options can be found on page 19
- Special solutions can be found on page 19
- Construction heights and jib arm length can be adapted to customer's requirements.
- GIS electric chain hoist



| Part number     | Capacity kg | Jib arm C mm | u mm | v mm | w mm | y mm | z mm | r mm | b mm | q mm | t mm | GISKB aluminium | Console drill holes mm |
|-----------------|-------------|--------------|------|------|------|------|------|------|------|------|------|-----------------|------------------------|
| 9311.2020/125/2 | 125         | 2040         | 240  | 619  | 701  | 501  | 300  | 160  | 1885 | 458  | 59   | M               | 4 × Ø27                |
| 9311.2021/125/3 |             | 3040         |      |      |      |      |      |      | 2885 | 558  |      |                 |                        |
| 9311.2023/125/4 |             | 4040         |      |      |      |      |      |      | 3885 | 658  |      |                 |                        |
| 9311.2025/125/5 |             | 5050         | 340  | 1019 | 1101 | 901  | 400  | 185  | 4895 | 668  |      | L               | 4 × Ø30                |
| 9311.2026/125/6 |             | 6050         |      |      |      |      |      |      | 5895 | 768  |      |                 |                        |
| 9311.2020/160/2 |             | 2040         |      |      |      |      |      |      | 160  | 240  |      |                 |                        |
| 9311.2021/160/3 | 3040        | 2885         | 558  |      |      |      |      |      |      |      |      |                 |                        |
| 9311.2023/160/4 | 4040        | 3885         | 658  |      |      |      |      |      |      |      |      |                 |                        |
| 9311.2025/160/5 | 5050        | 340          | 1019 | 1101 | 901  | 400  | 185  | 4895 |      | 668  | L    | 4 × Ø30         |                        |
| 9311.2026/160/6 | 6050        |              |      |      |      |      |      | 5895 |      | 768  |      |                 |                        |
| 9311.2020/200/2 | 2040        |              |      |      |      |      |      | 200  |      | 240  |      |                 | 619                    |
| 9311.2021/200/3 | 3040        | 2885         | 558  |      |      |      |      |      |      |      |      |                 |                        |
| 9311.2024/200/4 | 4050        | 3895         | 568  |      |      |      |      |      |      |      |      |                 |                        |
| 9311.2025/200/5 | 5050        | 340          | 1019 | 1101 | 901  | 400  | 185  |      | 4895 | 668  | L    | 4 × Ø30         |                        |
| 9311.2026/200/6 | 6050        |              |      |      |      |      |      |      | 5895 | 768  |      |                 |                        |
| 9311.2020/250/2 | 2040        |              |      |      |      |      |      |      | 250  | 240  |      |                 | 619                    |
| 9311.2021/250/3 | 3040        | 2885         | 558  |      |      |      |      |      |      |      |      |                 |                        |
| 9311.2024/250/4 | 4050        | 3895         | 568  |      |      |      |      |      |      |      |      |                 |                        |
| 9311.2025/250/5 | 5050        | 340          | 1019 | 1101 | 901  | 400  | 185  | 4895 |      | 668  | L    | 4 × Ø30         |                        |
| 9311.2026/250/6 | 6050        |              |      |      |      |      |      | 5895 |      | 768  |      |                 |                        |
| 9311.2020/320/2 | 2040        |              |      |      |      |      |      | 320  |      | 240  |      |                 | 619                    |
| 9311.2022/320/3 | 3040        | 2885         | 558  |      |      |      |      |      |      |      |      |                 |                        |
| 9311.2024/320/4 | 4050        | 3895         | 568  |      |      |      |      |      |      |      |      |                 |                        |
| 9311.2025/320/5 | 5050        | 340          | 1019 | 1101 | 901  | 400  | 185  |      | 4895 | 668  | L    | 4 × Ø30         |                        |
| 9311.2026/320/6 | 6050        |              |      |      |      |      |      |      | 5895 | 768  |      |                 |                        |
| 9311.2020/400/2 | 2040        |              |      |      |      |      |      |      | 400  | 240  |      |                 | 619                    |
| 9311.2022/400/3 | 3050        | 2895         | 468  |      |      |      |      |      |      |      |      |                 |                        |
| 9311.2024/400/4 | 4050        | 3895         | 568  |      |      |      |      |      |      |      |      |                 |                        |
| 9311.2025/400/5 | 5050        | 340          | 1019 | 1101 | 901  | 400  | 185  | 4895 |      | 668  | L    | 4 × Ø30         |                        |
| 9311.2026/400/6 | 6050        |              |      |      |      |      |      | 5895 |      | 768  |      |                 |                        |
| 9311.2020/500/2 | 2040        |              |      |      |      |      |      | 500  |      | 240  |      |                 | 619                    |
| 9311.2022/500/3 | 3050        | 2895         | 468  |      |      |      |      |      |      |      |      |                 |                        |
| 9311.2024/500/4 | 4050        | 3895         | 568  |      |      |      |      |      |      |      |      |                 |                        |
| 9311.2025/500/5 | 5050        | 340          | 1019 | 1101 | 901  | 400  | 185  |      | 4895 | 668  | L    | 4 × Ø30         |                        |
| 9311.2026/500/6 | 6050        |              |      |      |      |      |      |      | 5895 | 768  |      |                 |                        |

# Slewing wall crane GWD-TR steel pipe profile

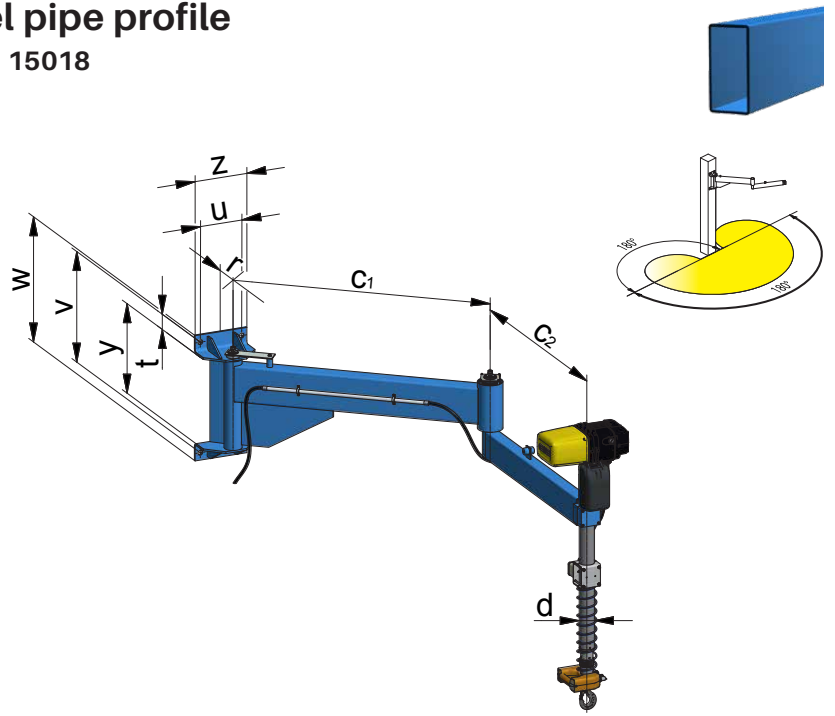
Lifting capacity up to 250 kg - according DIN 15018

## Standard version

Articulated wall-mounted slewing jib crane with maximum slewing range  
 Suitable for excentric load handling with GIS handy telescope model  
 Console and jib primed light grey RAL 7035  
 Slewing range up to 180° (inner), respectively up to 330° (outter)  
 Without mounting material

### Options:

Coating upon request or hot-dip galvanised  
 Power supply with main switch  
 Mounting options can be found on page 19  
 Special solutions can be found on page 19  
 Construction height can be adapted to customer's requirements.  
 GIS handy telescope model



| Part number | Capacity<br>kg | Jib arm C1/C2<br>mm | r<br>mm | z<br>mm | u<br>mm | w<br>mm | v<br>mm | y<br>mm | t<br>mm | Console drill holes<br>mm | d<br>Ø mm |
|-------------|----------------|---------------------|---------|---------|---------|---------|---------|---------|---------|---------------------------|-----------|
| 9311.3103.2 | 250            | 1400/1200           | 160     | 300     | 240     | 701     | 619     | 501     | 59      | 4 × Ø27                   | 80        |

# Slewing wall crane IPE steel profile

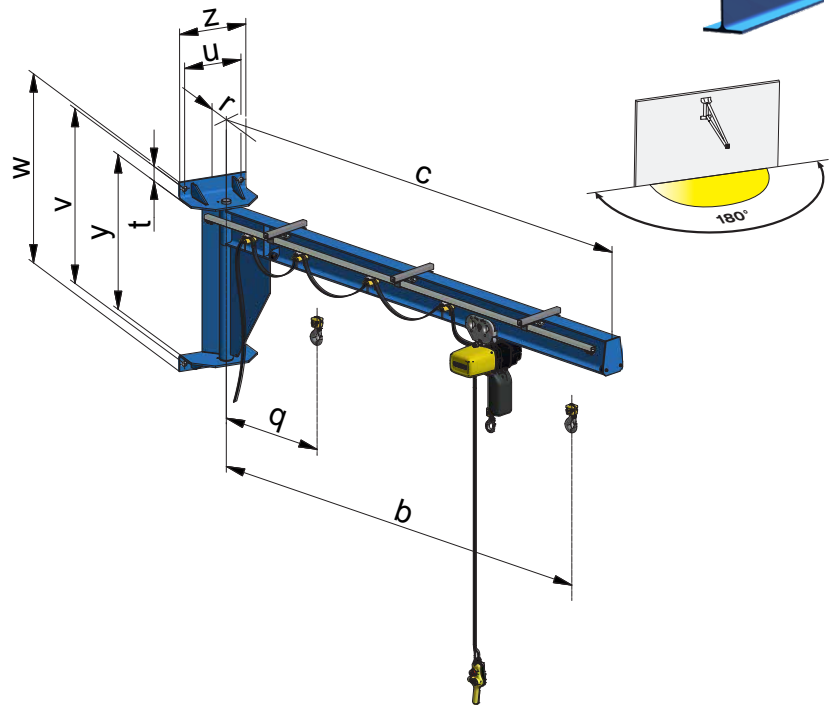
## Lifting capacity up to 1000 kg - according DIN 15018

### Standard version

Console and jib arm primed light grey RAL 7035  
 Slewing range 180°/ 270° stepless (manually)  
 Rubber buffers mounted to the end of the jib  
 Without mounting material

### Options:

Coating upon request or hot-dip galvanised  
 Power supply; trailing cable, c-rail or conductor line with main switch (see page 18)  
 Mounting options can be found on page 19  
 Special solutions can be found on page 19  
 Construction heights and jib arm length can be adapted to customer's requirements.  
 GIS electric chain hoist with manual or motorised trolley



| Capacity kg | Jib arm c mm | u mm | v mm | w mm | y mm | z mm | r mm | b mm | q mm | t mm | IPE | Flange mm | Console drill holes mm |         |
|-------------|--------------|------|------|------|------|------|------|------|------|------|-----|-----------|------------------------|---------|
| 125         | 2000         | 240  | 619  | 701  | 501  | 300  | 160  | 1860 | 482  | 59   | 160 | 82        | 4 × Ø27                |         |
|             | 3000         |      |      |      |      |      |      | 2860 |      |      |     |           |                        |         |
|             | 4000         |      |      |      |      |      |      | 3860 |      |      |     |           |                        |         |
|             | 5000         |      |      |      |      |      |      | 4860 |      |      |     |           |                        | 4 × Ø30 |
| 160         | 2000         | 240  | 619  | 701  | 501  | 300  | 160  | 1860 | 482  | 59   | 160 | 82        | 4 × Ø27                |         |
|             | 3000         |      |      |      |      |      |      | 2860 |      |      | 180 | 91        |                        |         |
|             | 4000         |      |      |      |      |      |      | 3860 |      |      | 240 | 120       |                        | 4 × Ø30 |
|             | 5000         |      |      |      |      |      |      | 4860 |      |      | 546 | 240       |                        | 120     |
| 200         | 2000         | 240  | 619  | 701  | 501  | 300  | 160  | 1860 | 482  | 59   | 160 | 82        | 4 × Ø27                |         |
|             | 3000         |      |      |      |      |      |      | 2890 |      |      | 180 | 91        |                        |         |
|             | 4000         |      |      |      |      |      |      | 3860 |      |      | 240 | 120       |                        | 4 × Ø30 |
|             | 5000         |      |      |      |      |      |      | 4860 |      |      | 546 | 240       |                        | 120     |
| 250         | 2000         | 240  | 619  | 701  | 501  | 300  | 160  | 1860 | 482  | 59   | 160 | 82        | 4 × Ø27                |         |
|             | 3000         |      |      |      |      |      |      | 2860 |      |      | 180 | 91        |                        |         |
|             | 4000         |      |      |      |      |      |      | 3860 |      |      | 200 | 100       |                        | 4 × Ø30 |
|             | 5000         |      |      |      |      |      |      | 4860 |      |      | 546 | 240       |                        | 120     |
| 320         | 2000         | 240  | 619  | 701  | 501  | 300  | 160  | 1860 | 537  | 59   | 160 | 82        | 4 × Ø27                |         |
|             | 3000         |      |      |      |      |      |      | 2860 |      |      | 200 | 100       |                        |         |
|             | 4000         |      |      |      |      |      |      | 3860 |      |      | 220 | 110       |                        | 4 × Ø30 |
|             | 5000         |      |      |      |      |      |      | 4860 |      |      | 546 | 240       |                        | 120     |
| 400         | 2000         | 240  | 619  | 701  | 501  | 300  | 160  | 1860 | 482  | 59   | 160 | 82        | 4 × Ø27                |         |
|             | 3000         |      |      |      |      |      |      | 2860 |      |      | 200 | 100       |                        |         |
|             | 4000         |      |      |      |      |      |      | 3860 |      |      | 200 | 100       |                        | 4 × Ø30 |
|             | 5000         |      |      |      |      |      |      | 4860 |      |      | 603 | 300       |                        | 150     |
| 500         | 2000         | 240  | 619  | 701  | 501  | 300  | 160  | 1860 | 482  | 59   | 180 | 91        | 4 × Ø27                |         |
|             | 3000         |      |      |      |      |      |      | 2860 |      |      | 200 | 100       |                        |         |
|             | 4000         |      |      |      |      |      |      | 3860 |      |      | 220 | 110       |                        | 4 × Ø30 |
|             | 5000         |      |      |      |      |      |      | 4860 |      |      | 603 | 300       |                        | 150     |
| 630         | 2000         | 340  | 1019 | 1101 | 901  | 400  | 185  | 1860 | 537  | 59   | 180 | 91        | 4 × Ø30                |         |
|             | 3000         |      |      |      |      |      |      | 2860 |      |      | 200 | 100       |                        |         |
|             | 4000         |      |      |      |      |      |      | 3860 |      |      | 240 | 120       |                        |         |
|             | 5000         |      |      |      |      |      |      | 4860 |      |      | 603 | 300       |                        | 150     |
| 800         | 2000         | 340  | 1019 | 1101 | 901  | 400  | 185  | 1860 | 546  | 59   | 200 | 100       | 4 × Ø30                |         |
|             | 3000         |      |      |      |      |      |      | 2860 |      |      | 220 | 110       |                        |         |
|             | 4000         |      |      |      |      |      |      | 3860 |      |      | 300 | 150       |                        |         |
|             | 5000         |      |      |      |      |      |      | 4860 |      |      | 603 | 300       |                        | 150     |
| 1000        | 2000         | 340  | 1019 | 1101 | 901  | 400  | 185  | 1860 | 546  | 59   | 240 | 120       | 4 × Ø30                |         |
|             | 3000         |      |      |      |      |      |      | 2860 |      |      | 300 | 150       |                        |         |
|             | 4000         |      |      |      |      |      |      | 3860 |      |      | 300 | 150       |                        |         |
|             | 5000         |      |      |      |      |      |      | 4860 |      |      | 603 | 330       |                        | 160     |

## Ceiling-mounted slewing jib crane GISKB steel hollow profile

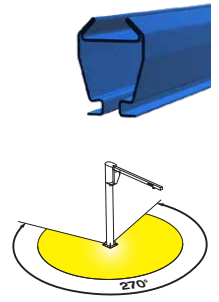
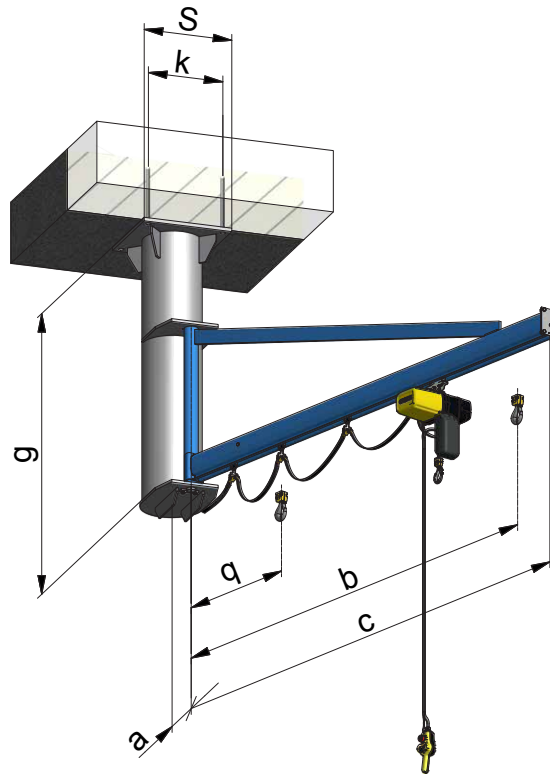
Lifting capacity up to 1000 kg - according DIN 15018

### Execution available optionally

Pillar and jib primed light grey RAL 7035  
Slewing range 270° stepless (manually)  
Trolley with smoothly running plastic load wheels  
Travel limit stop for trolley  
Without mounting material

### Options:

Coating upon request or hot-dip galvanised  
Power supply; trailing cable, c-rail or conductor line with main switch (see page 18)  
Mounting options can be found on page 19  
Special solutions can be found on page 19  
Construction heights and jib arm length can be adapted to customer's requirements.  
GIS electric chain hoist



## Ceiling-mounted slewing jib crane GISKB aluminium hollow profile

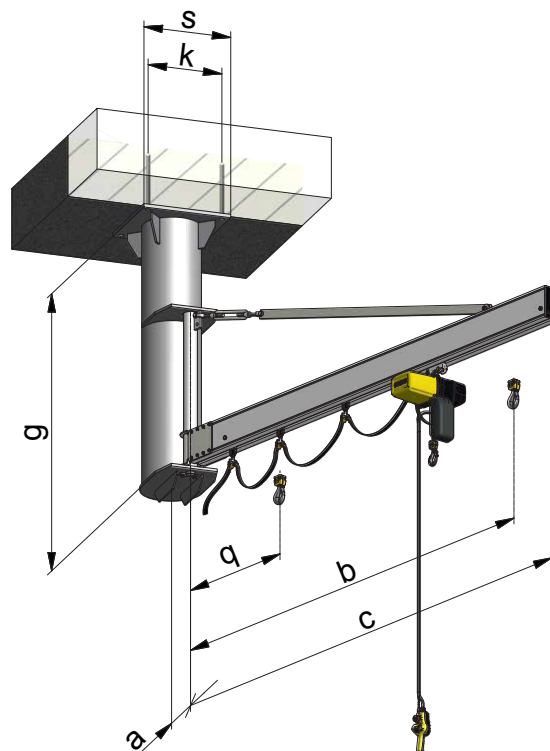
Lifting capacity up to 500 kg - according DIN 15018

### Execution available optionally

Pillar primed light grey RAL 7035  
Aluminium profile jib arm  
Slewing range 270° stepless (manually)  
Trolley with smoothly running plastic load wheels  
Travel limit stop for trolley  
Without mounting material

### Options:

Coating of pillar upon request or hot-dip galvanised  
Power supply; trailing cable, c-rail or conductor line with main switch (see page 18)  
Mounting options can be found on page 19  
Special solutions can be found on page 19  
Construction heights and jib arm length can be adapted to customer's requirements.  
GIS electric chain hoist



## Articulated ceiling-mounted slewing crane GSD-TR steel pipe profile

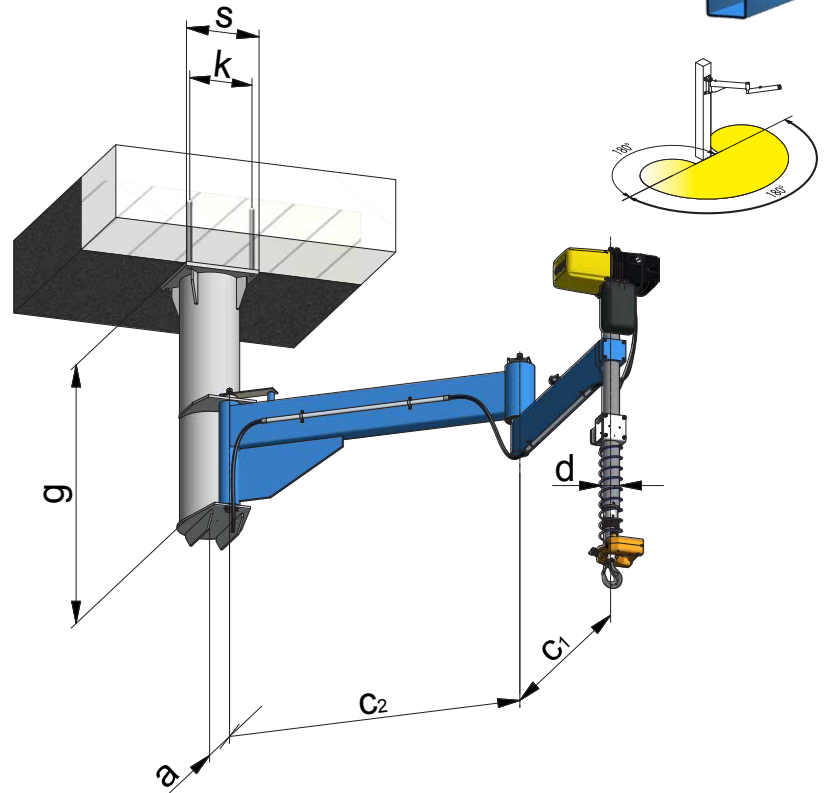
Lifting capacity up to 250 kg - according DIN 15018

### Execution available optionally

Pillar and jib primed light grey RAL 7035  
 Slewing range 270° / 180° stepless (manually)  
 Without mounting material

#### Options:

Coating upon request or hot-dip galvanised  
 Power supply with main switch  
 Mounting options can be found on page 19  
 Special solutions can be found on page 19  
 Construction height can be adapted to customer's requirements.  
 GIS handy telescope model



## Ceiling-mounted slewing jib crane IPE steel profile

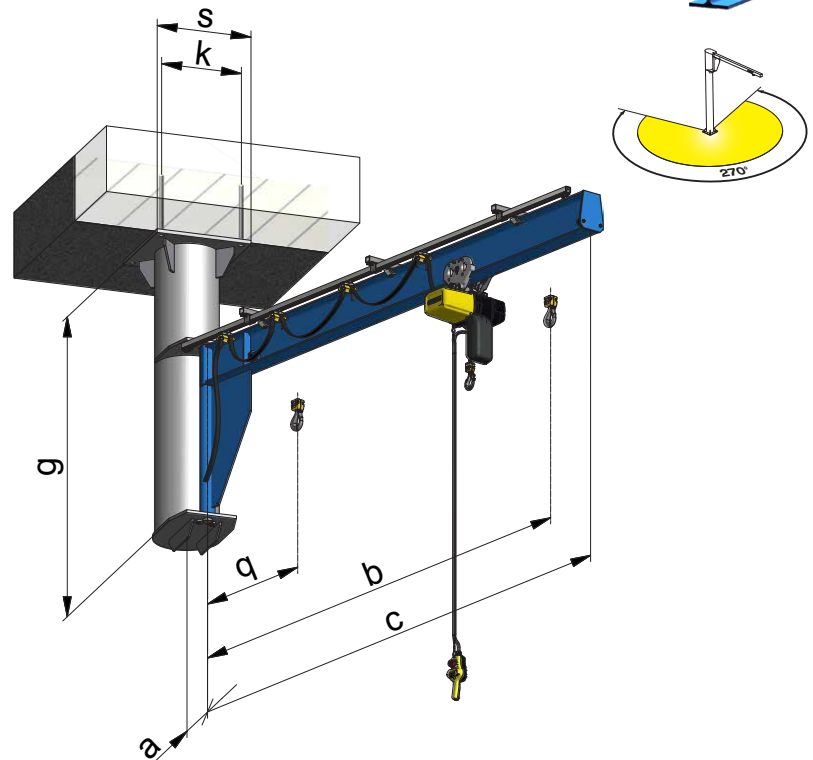
Lifting capacity up to 1000 kg - according DIN 15018

### Execution available optionally

Pillar primed light grey RAL 7035  
 IPE steel profile jib arm  
 Slewing range 270° stepless (manually)  
 Rubber buffers mounted to the end of the jib  
 Without mounting material

#### Options:

Coating of pillar upon request or hot-dip galvanised  
 Power supply; trailing cable, c-rail or conductor line with main switch (see page 18)  
 Mounting options can be found on page 19  
 Special solutions can be found on page 19  
 Construction heights and jib arm length can be adapted to customer's requirements.  
 GIS electric chain hoist with manual or motorised trolley



# Mobile slewing pillar cranes GISKB steel hollow profile

Lifting capacity up to 400 kg - according DIN 15018

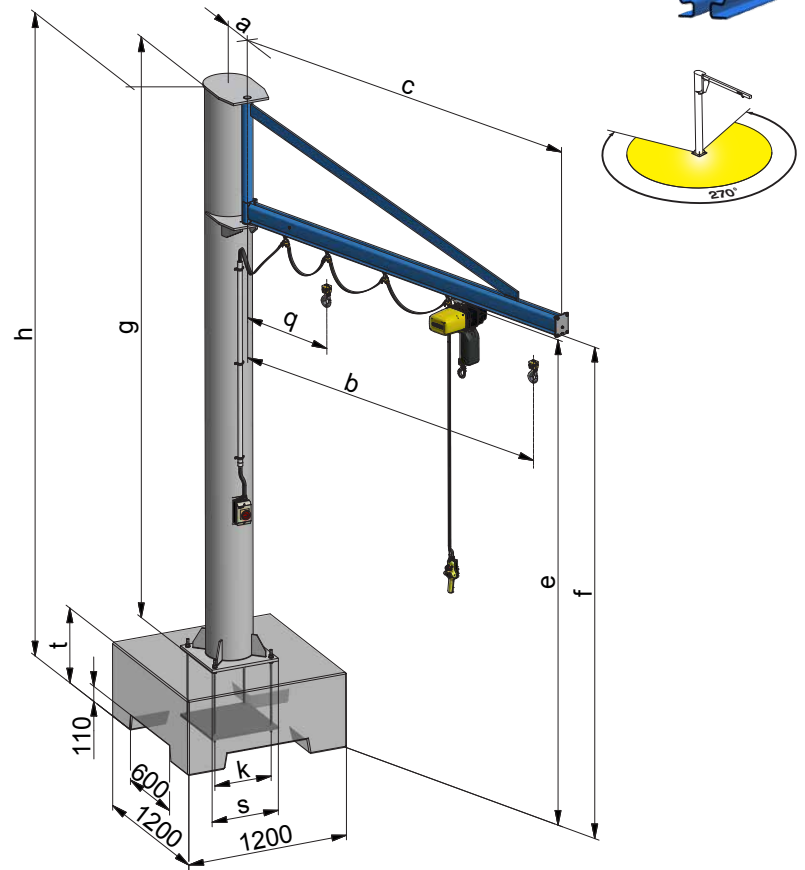


## Standard version

Pillar and jib primed light grey RAL 7035  
 Slewing range 270° stepless (manually)  
 Trolley with smoothly running plastic load wheels  
 Travel limit stop for trolley  
 including mounting material to concrete base

### Options:

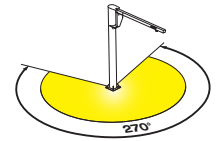
Coating upon request or hot-dip galvanised  
 Power supply; trailing cable, c-rail or conductor line  
 with main switch (see page 18)  
 Mounting options can be found on page 19  
 Special solutions can be found on page 19  
 Construction heights and jib arm length can be  
 adapted to customer's requirements.  
 GIS electric chain hoist



| Capacity kg | Jib arm C mm | g mm | h mm | a mm | q mm | b mm  | e mm | f mm | GISKB | Floor plate drill holes mm | k mm | s mm | Pillar Ø mm | t mm | Total weight kg | Floor loading kg/m <sup>2</sup> |       |       |
|-------------|--------------|------|------|------|------|-------|------|------|-------|----------------------------|------|------|-------------|------|-----------------|---------------------------------|-------|-------|
| 80          | 2000         | 3800 | 4160 | 265  | 424  | 1890  | 3625 | 3660 | I     | 4 × Ø20                    | 300  | 400  | 273         | 330  | ~1100           | ~770                            |       |       |
|             | 524          |      |      |      | 2890 | ~1100 |      |      |       |                            |      |      |             |      | ~770            |                                 |       |       |
|             | 624          |      |      |      | 3890 | ~1150 |      |      |       |                            |      |      |             |      | ~800            |                                 |       |       |
| 100         | 2000         | 3800 | 4160 | 265  | 424  | 1890  | 3625 | 3660 | I     | 4 × Ø20                    | 300  | 400  | 273         | 330  | ~1100           | ~770                            |       |       |
|             | 524          |      |      |      | 2890 | ~1100 |      |      |       |                            |      |      |             |      | ~770            |                                 |       |       |
|             | 624          |      |      |      | 3890 | 3845  |      |      |       |                            |      |      |             |      | 3880            | 550                             | ~1900 | ~800  |
| 125         | 2000         | 3800 | 4160 | 265  | 424  | 1890  | 3625 | 3660 | I     | 4 × Ø20                    | 300  | 400  | 273         | 330  | ~1100           | ~770                            |       |       |
|             | 524          |      |      |      | 2890 | ~1100 |      |      |       |                            |      |      |             |      | ~770            |                                 |       |       |
|             | 624          |      |      |      | 3890 | 3845  |      |      |       |                            |      |      |             |      | 3880            | 550                             | ~1900 | ~1320 |
| 160         | 2000         | 3800 | 4160 | 265  | 424  | 1890  | 3625 | 3660 | I     | 4 × Ø20                    | 300  | 400  | 273         | 330  | ~1100           | ~770                            |       |       |
|             | 524          |      |      |      | 2890 | 3845  |      |      |       |                            |      |      |             |      | 3880            | 550                             | ~1900 | ~1320 |
|             | 624          |      |      |      | 3890 | 3845  |      |      |       |                            |      |      |             |      | 3880            | 550                             | ~1900 | ~1320 |
| 200         | 2000         | 3800 | 4160 | 265  | 424  | 1890  | 3625 | 3660 | I     | 4 × Ø20                    | 300  | 400  | 273         | 330  | ~1100           | ~770                            |       |       |
|             | 524          |      |      |      | 2890 | 3845  |      |      |       |                            |      |      |             |      | 3880            | 550                             | ~1900 | ~1320 |
|             | 624          |      |      |      | 3890 | 3845  |      |      |       |                            |      |      |             |      | 3880            | 550                             | ~1900 | ~1320 |
| 250         | 2000         | 3800 | 4160 | 265  | 424  | 1890  | 3625 | 3660 | I     | 4 × Ø20                    | 300  | 400  | 273         | 330  | ~1100           | ~770                            |       |       |
| 320         | 2000         | 3800 | 4380 | 265  | 424  | 1890  | 3845 | 3880 | I     | 4 × Ø20                    | 300  | 400  | 273         | 550  | ~1900           | ~770                            |       |       |
| 400         | 2000         | 3800 | 4380 | 265  | 424  | 1890  | 3845 | 3880 | I     | 4 × Ø20                    | 300  | 400  | 273         | 550  | ~1900           | ~1320                           |       |       |

# Mobile slewing pillar cranes GISKB aluminium hollow profile

Lifting capacity up to 400 kg - according DIN 15018

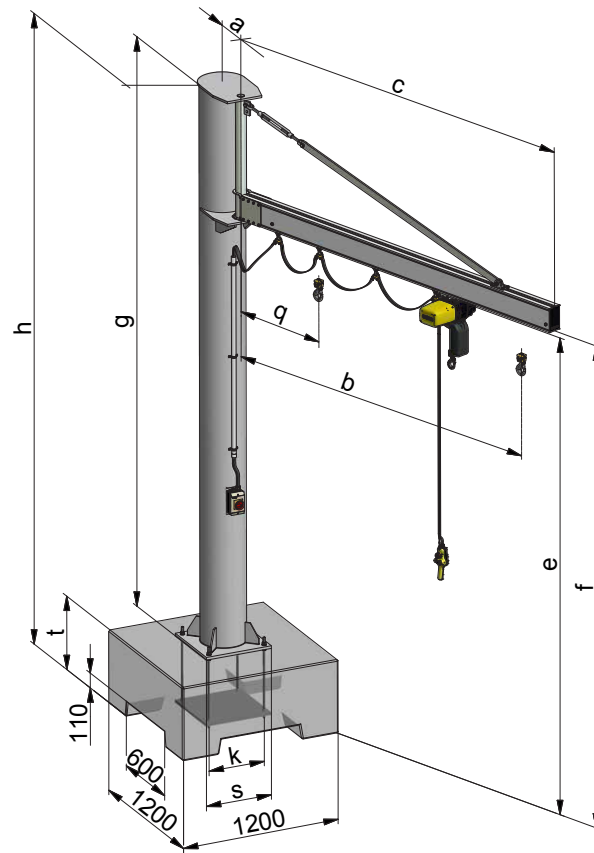


## Standard version

- Pillar primed light grey RAL 7035
- Aluminium profile jib arm
- Slewing range 270° stepless (manually)
- Trolley with smoothly running plastic load wheels
- Travel limit stop for trolley including mounting material to concrete base

## Options:

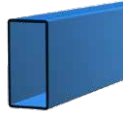
- Coating of pillar upon request or hot-dip galvanised
- Power supply; trailing cable, c-rail or conductor line with main switch (see page 18)
- Mounting options can be found on page 19
- Special solutions can be found on page 19
- Construction heights and jib arm length can be adapted to customer's requirements.
- GIS electric chain hoist



| Capacity kg | Jib arm C mm | g mm | h mm | a mm | q mm | b mm  | e mm | f mm  | GISKB aluminium | Floor plate drill holes mm | k mm | s mm | Pillar Ø mm | t mm | Total weight kg | Floor loading kg/m <sup>2</sup> |       |
|-------------|--------------|------|------|------|------|-------|------|-------|-----------------|----------------------------|------|------|-------------|------|-----------------|---------------------------------|-------|
| 80          | 2030         | 3800 | 4160 | 265  | 458  | 1880  | 3625 | 3660  | M               | 4 × Ø20                    | 300  | 400  | 273         | 330  | ~1100           | ~770                            |       |
|             | 3030         |      |      |      | 558  | 2880  |      |       |                 |                            |      |      |             |      | ~1150           | ~800                            |       |
|             | 4030         |      |      |      | 658  | 3880  |      |       |                 |                            |      |      |             |      | ~1150           | ~800                            |       |
| 100         | 2030         | 3800 | 4160 | 265  | 458  | 1880  | 3625 | 3660  | M               | 4 × Ø20                    | 300  | 400  | 273         | 330  | ~1100           | ~770                            |       |
|             | 3030         |      | 558  |      | 2880 | ~1150 |      |       |                 |                            |      |      |             | ~800 |                 |                                 |       |
|             | 4030         |      | 4380 |      | 658  | 3880  |      |       |                 |                            |      |      |             | 3845 | 3880            | 550                             | ~1900 |
| 125         | 2030         | 3800 | 4160 | 265  | 458  | 1880  | 3625 | 3660  | M               | 4 × Ø20                    | 300  | 400  | 273         | 330  | ~1100           | ~770                            |       |
|             | 3030         |      | 558  |      | 2880 | ~1150 |      |       |                 |                            |      |      |             | ~800 |                 |                                 |       |
|             | 4030         |      | 4380 |      | 658  | 3880  |      |       |                 |                            |      |      |             | 3845 | 3880            | 550                             | ~1900 |
| 160         | 2030         | 3800 | 4160 | 265  | 458  | 1880  | 3625 | 3660  | M               | 4 × Ø20                    | 300  | 400  | 273         | 330  | ~1100           | ~770                            |       |
|             | 3030         |      | 558  |      | 2880 | 3845  |      |       |                 |                            |      |      |             | 3880 | 550             | ~1900                           | ~1320 |
|             | 200          |      | 2030 |      | 3800 | 4160  |      |       |                 |                            |      |      |             | 265  | 458             | 1880                            | 3625  |
| 3030        | 4380         | 558  | 2880 | 3845 |      | 3880  | 550  | ~1900 | ~1320           |                            |      |      |             |      |                 |                                 |       |
| 250         | 2030         | 3800 | 4160 | 265  | 458  | 1880  | 3625 | 3660  | M               | 4 × Ø20                    | 300  | 400  | 273         | 330  | ~1100           | ~770                            |       |
| 320         | 2030         | 3800 | 4380 | 265  | 458  | 1880  | 3845 | 3880  | M               | 4 × Ø20                    | 300  | 400  | 273         | 550  | ~1900           | ~770                            |       |
| 400         | 2030         | 3800 | 4380 | 265  | 458  | 1880  | 3845 | 3880  | M               | 4 × Ø20                    | 300  | 400  | 273         | 550  | ~1900           | ~1320                           |       |

# Mobile articulated slewing pillar crane GSD-TR steel pipe profile

Lifting capacity up to 250 kg - according DIN 15018

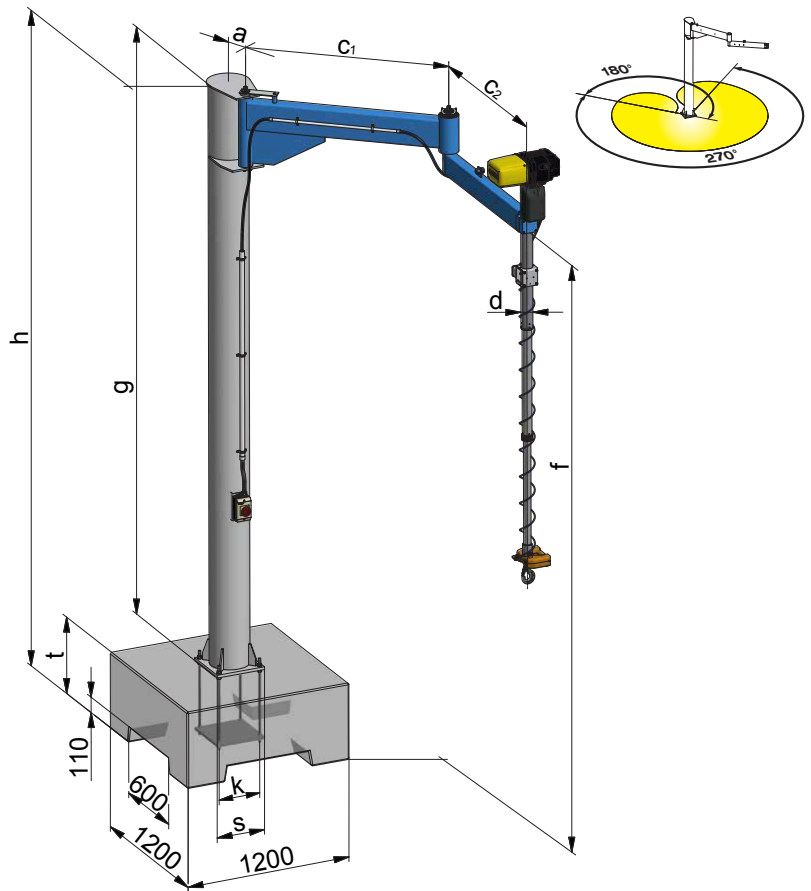


## Standard version

Articulated pillar-mounted slewing jib crane with maximum slewing range  
 Suitable for excentric load handling with GIS handy telescope model  
 Pillar and jib primed light grey RAL 7035  
 Slewing range up to 270° (inner), respectively up to 330° (outer)

### Options:

Coating upon request or hot-dip galvanised  
 Power supply with main switch  
 Further options can be found on page 19  
 Special solutions can be found on page 19  
 Construction height can be adapted to customer's requirements.  
 GIS handy telescope model

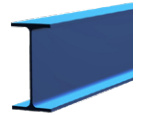


| Capacity<br>kg | Jib arm C1/C2<br>mm | Construction height |         | BE jib arm f<br>mm | k<br>mm | s<br>mm | t<br>mm | h<br>mm | Floor plate<br>drill holes mm | d<br>Ø mm | Pillar<br>Ø mm |
|----------------|---------------------|---------------------|---------|--------------------|---------|---------|---------|---------|-------------------------------|-----------|----------------|
|                |                     | a<br>mm             | g<br>mm |                    |         |         |         |         |                               |           |                |
| 250            | 1400/1200           | 265                 | 3400    | 2971               | 300     | 350     | 550     | 3950    | 4 × Ø20                       | 80        | 273            |



# Mobile slewing pillar crane IPE steel profile

Lifting capacity up to 400 kg - according DIN 15018

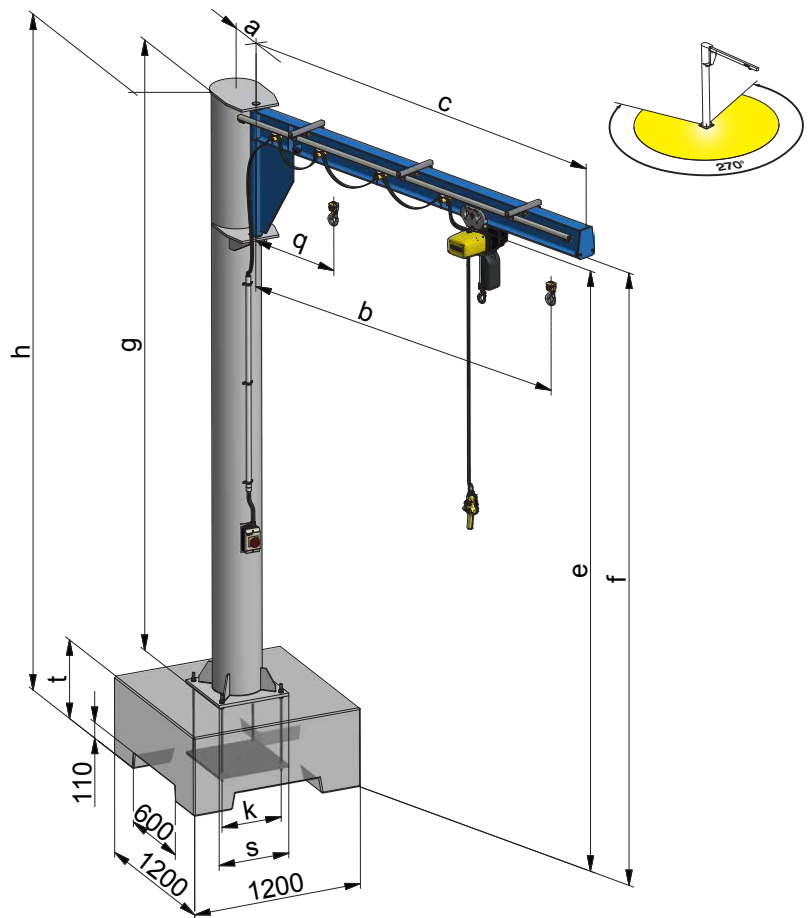


## Standard version

Pillar and jib primed light grey RAL 7035  
 Jib IPE steel profile  
 Slewing range 270° stepless (manually)  
 Rubber buffers mounted to the end of the jib including mounting material to concrete base

### Options:

Coating of pillar upon request or hot-dip galvanised  
 Power supply; trailing cable, c-rail or conductor line with main switch (see page 18)  
 Further options can be found on page 19  
 Special solutions can be found on page 19  
 Construction heights and jib arm length can be adapted to customer's requirements.  
 GIS GIS electric chain hoist with manual or motorised trolley



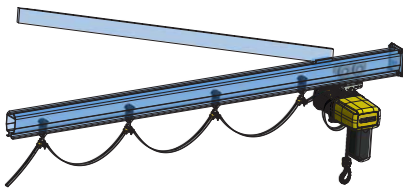
| Capacity kg | C mm | g mm | h mm | a mm | q mm | b mm  | e    | f    | IPE | Flange | k □mm | s □mm | Pillar Ø mm | t   | Total weight kg | Floor loading kg/m <sup>2</sup> |
|-------------|------|------|------|------|------|-------|------|------|-----|--------|-------|-------|-------------|-----|-----------------|---------------------------------|
| 80          | 2000 | 3800 | 4160 | 265  | 482  | 1870  | 3930 | 3970 | 160 | 82     | 300   | 400   | 273         | 330 | ~1100           | ~770                            |
|             | 3000 |      |      |      |      | 2870  |      |      |     |        |       |       |             |     | ~1150           | ~800                            |
|             | 4000 |      |      |      |      | 3870  |      |      |     |        |       |       |             |     | ~1150           | ~800                            |
| 100         | 2000 | 3800 | 4160 | 265  | 482  | 1870  | 3930 | 3970 | 160 | 82     | 300   | 400   | 273         | 330 | ~1100           | ~770                            |
|             | 3000 |      | 2870 |      |      | ~1150 |      |      |     |        |       |       |             |     | ~800            |                                 |
|             | 4000 |      | 4380 |      |      | 3870  |      |      |     |        |       |       |             |     | 4150            | 4190                            |
| 125         | 2000 | 3800 | 4160 | 265  | 482  | 1870  | 3930 | 3970 | 160 | 82     | 300   | 400   | 273         | 330 | ~1100           | ~770                            |
|             | 3000 |      | 2870 |      |      | ~1150 |      |      |     |        |       |       |             |     | ~800            |                                 |
|             | 4000 |      | 4380 |      |      | 3870  |      |      |     |        |       |       |             |     | 4150            | 4190                            |
| 160         | 2000 | 3800 | 4160 | 265  | 482  | 1870  | 3930 | 3970 | 160 | 82     | 300   | 400   | 273         | 330 | ~1100           | ~770                            |
|             | 3000 |      | 2870 |      |      | ~1150 |      |      |     |        |       |       |             |     | ~800            |                                 |
|             | 4000 |      | 4380 |      |      | 3870  |      |      |     |        |       |       |             |     | 4150            | 4190                            |
| 200         | 2000 | 3800 | 4160 | 265  | 482  | 1870  | 3930 | 3970 | 160 | 82     | 300   | 400   | 273         | 330 | ~1100           | ~770                            |
|             | 3000 |      | 2870 |      |      | ~1150 |      |      |     |        |       |       |             |     | ~800            |                                 |
|             | 4000 |      | 4380 |      |      | 3870  |      |      |     |        |       |       |             |     | 4150            | 4190                            |
| 250         | 2000 | 3800 | 4160 | 265  | 482  | 1870  | 3930 | 3970 | 160 | 82     | 300   | 400   | 273         | 330 | ~1100           | ~770                            |
| 320         | 2000 | 3800 | 4380 | 265  | 482  | 1870  | 4150 | 4190 | 160 | 82     | 300   | 400   | 273         | 550 | ~1900           | ~770                            |
| 400         | 2000 | 3800 | 4380 | 265  | 482  | 1870  | 4150 | 4190 | 160 | 82     | 300   | 400   | 273         | 550 | ~1900           | ~1320                           |

# Power supply

## Trailing cable GISKB

### Standard version

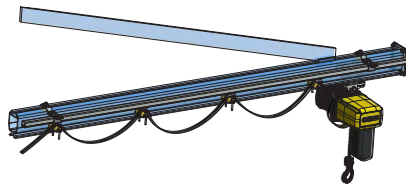
- Cable carriage trolley inside profile
- For contaminated or humid environment
- Cost-efficient solution
- Suitable for outdoor use
- With main switch
- Option: equipped with compressed-air supply



## C-rail GISKB

### With trailing cable

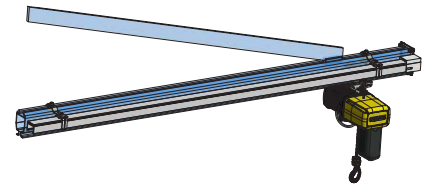
- For contaminated or humid environment
- Using the entire travel range
- Suitable for outdoor use
- With main switch
- Option: equipped with compressed-air supply



## Conductor line GISKB

### External

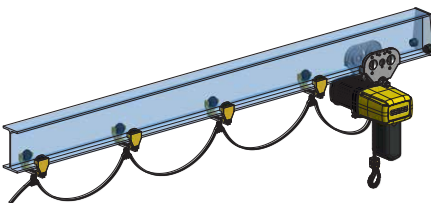
- Space-saving (no hanging cables)
- Ideal approach dimensions
- Aesthetic solution
- With main switch
- Option: available with internal conductor line



## Trailing cable IPE

### Standard version

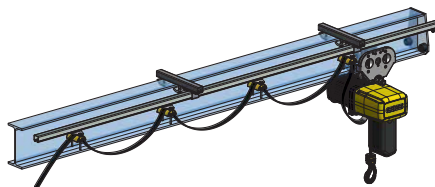
- Cable carriage trolley moving on profile
- For contaminated or humid environment
- Cost-efficient solution
- Suitable for outdoor use
- With main switch
- Option: equipped with compressed-air supply



## C-rail IPE

### With trailing cable

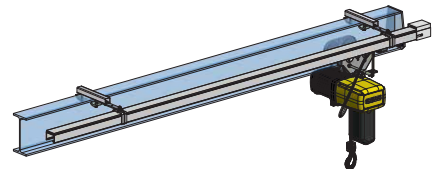
- For contaminated or humid environment
- Using the entire travel range
- Suitable for outdoor use
- With main switch
- Option: equipped with compressed-air supply



## Conductor line IPE

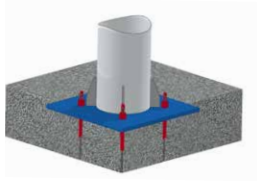
### External

- Space-saving (no hanging cables)
- Ideal approach dimensions
- Aesthetic solution
- With main switch



## Composite technology

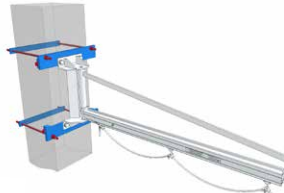
The anchoring or dowelling technique is perfectly suitable for resilient concrete floors, walls or ceilings.



Anchoring technique for floor mounting

## Clasp

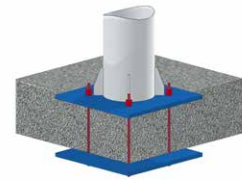
Ideal approach to the solution in case of concrete or steel pillars: frontally or around corners



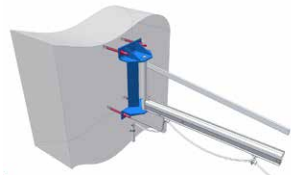
Classic clasp on frontal, rectangular pillar shape

## Counter plate

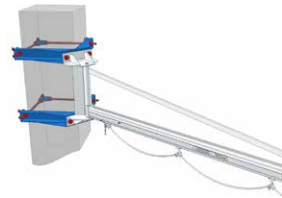
Distributes the force transmission in «sandwich»-load shared on a larger surface.



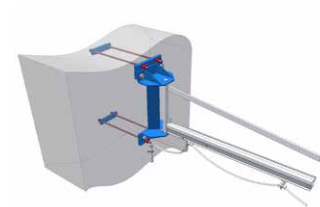
Floor plate for floor mounting



Dowelling technique for wall and ceiling mounting



Fastening around corners



Wall mounting

## Special solutions

Higher lifting capacities up to 5000 kg

Electric slewing motion

Radio remote control for hoist and trolley

Frequency controlled hoist and trolley

Roving pendant, control switch independent of chain hoist

Slewing crane and chain hoists for outdoor use

Storm brake

Slewing limits

Special jib arm lengths

Double jib arm on a single pillar

Special pillar heights

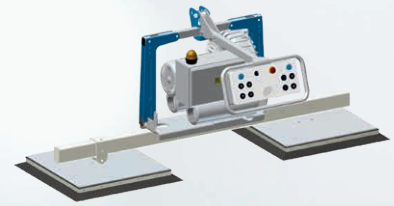
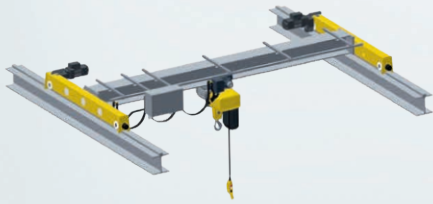
Manual chain hoist

Console crane

Corrosion resistant version (food industry)

Jib arm with additional telescopic jib arm

Protection cover for chain hoist



## Crane systems

GSKB steel crane construction kit for line-bound or all-round goods handling. GSKB aluminium crane system, slewing pillar and wall cranes for smooth handling of transport goods. Travelling cranes and slewing cranes made of steel profiles for heavier loads.

## Hoisting equipment

Over 60 years experience in the manufacture of electric chain hoists: robust, durable, reliable and highly resistant to wear. Simple maintenance. Various special versions for every application area. Wide range of accessories and options.

## Vacuum handling systems

GIS vacuum handling systems for the ergonomic and gentle handling of goods made of different materials like wood, glass, stone, metal or plastic. In combination with the appropriate crane system.

**GIS AG – the specialist for electric chain hoists and crane systems** Founding of the GIS AG in 1957 | With own subsidiaries in Germany, England and the United States | Development and production of electric chain hoists in Switzerland for over 60 years | Swiss manufacturer of complete crane systems inc. hoisting equipment and vacuum lifters | Certified to ISO 9001 since 1994 | Complete market services from project planning to installation, start-up and maintenance | International sales network with over 75 qualified partners worldwide

swiss lifting solutions  
Certified to ISO 9001